

24

2436 01

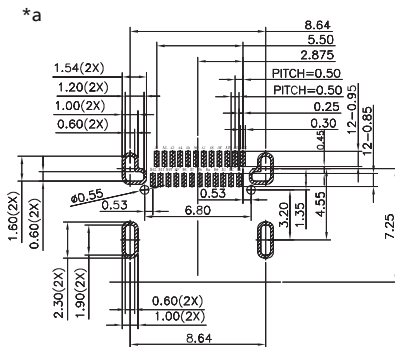
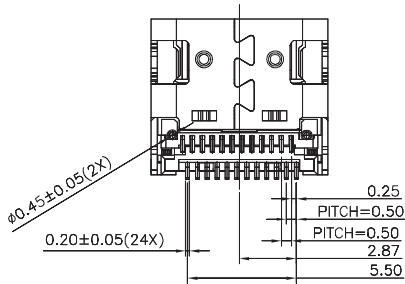
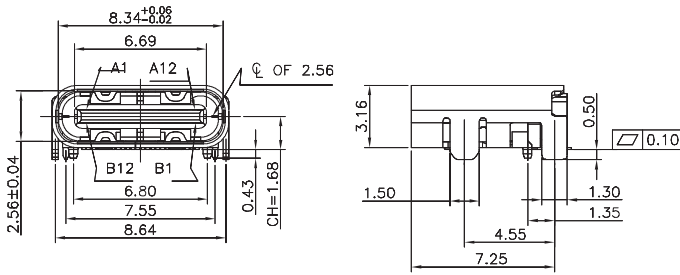
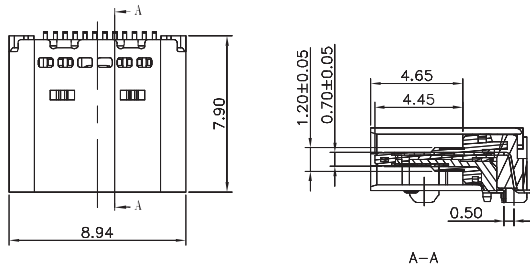
USB and IEEE 1394 connectors



USB 3.1 chassis socket type C, 24 poles, angular version,  
for printed circuit boards, surface mounting technology  
(SMT)

24

2436 01



\*a printed circuit board layout, components side view

### Environmental conditions

Temperature range -25 °C/+85 °C

### Materials

Insulating body PA, V-0 according to UL94  
Contact spring Cu alloy, gold-plated  
Housing steel, nickel-plated

### Mechanical data

Mating cycles 10000  
Insertion force 5–20 N  
Withdrawal force 8–20 N

### Electrical data (at T<sub>amb</sub> 20 °C)

Contact resistance 60 mΩ  
Rated current 5 A  
Rated voltage 5 V  
Rated impulse voltage 100 V/60 s  
Insulation resistance ≥ 100 MΩ

### Associated products

Counterparts  
☞ 2483 01

24

2436 01

Designation	Pole Number	PU (Pieces)	MDQ (Pieces)
2436 01	24	900	900

**Packaging:**  
on reel